

A-Frame Chicken Coop

Tools:

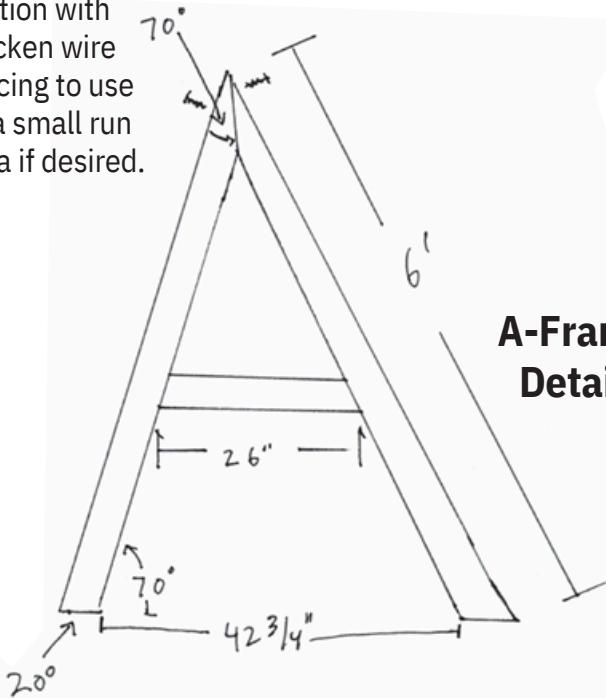
- Circular saw or table saw (ideal)
- Drill
- Bevel gauge
- Speed square
- Hammer
- Hand saw

Materials:

- 2 x 4 lumber ... 11 8-foot pieces
- 2x2 lumber ... 1 8-foot piece
- 1x4 lumber ... 1 8-foot piece
- Hinges - 4 - exterior
- Cabinet drawer for nesting box
- 3/8 inch exterior plywood for sides - 2 sheets
- 1/2 inch exterior plywood for floor - 2 sheets
- Nylon rope - 10 feet
- Eye screws - 2 - large enough for rope to pass through
- Roofing materials and paint as desired
- Exterior grade screws - deck screws would work well

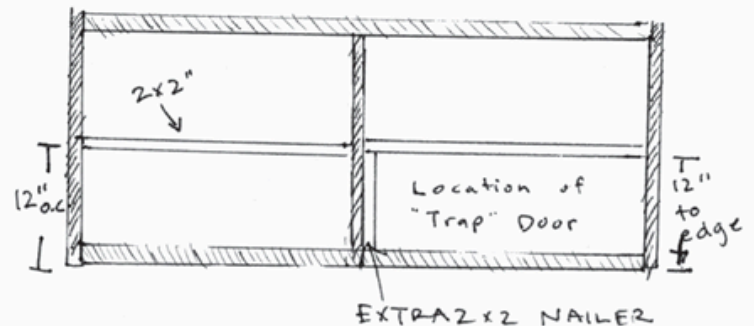
* Note

Cover lower section with chicken wire fencing to use as a small run area if desired.



A-Frame Detail

Floor Plan

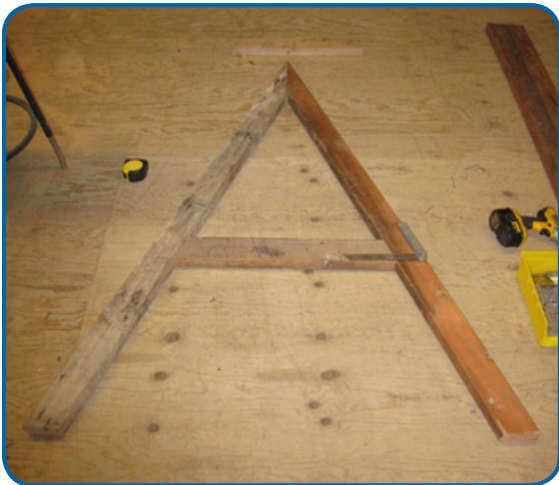


A-Frame Chicken Coop

Disclaimer: The RE Store is providing this set of plans and instructions as a free service. These instructions require a basic understanding of framing carpentry or at least a can-do attitude and willingness to be frustrated. We cannot promise any further support or advice and recommend that you find further assistance from handy friends, neighbors or family members. Good luck!

1.

Gather all your materials and tools. Begin by cutting all of the pieces needed to make the three "A's" that will be the vertical framing for the chicken coop.



2.

Assemble the "A's" and stack them atop one another to check for congruity, and even the bottoms slightly where needed.



3.

Cut the needed 6' long sill plates, and mark the center of each to accommodate the 1 1/2 inch thick "A's." Place the "A's" onto their side and attach the sill plates, first one, then the other.





4.

Right the frame of the coop, and square it corner to corner. Brace the frame corner to corner with scraps of 1x4, other lumber or plywood strips of material.



5.

Plumb one of the outer "A's". Run a scrap piece of 1x4 across the cross pieces of the A's, screwing it first to the plumbed section. Plumb the second and third sections, attaching to the same 1x4 to make sure that the sections stayed plumb and square.

What is the best kind of car for chickens to cross the road in?



A coupe!



6.

Check that it is level, from section to section



7.

Mark where the remaining 4 side pieces will intersect with the 3 plumb "A's," using the bevel gauge to 70 degrees.



8.

Use the speed square to mark across the outside edge.

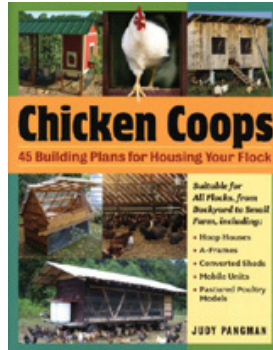


9.

Screw the remaining side pieces to the lines marked earlier, checking for level as you go.



Chicken Coops:
45 Building Plans for
Housing Your Flock
(Paperback) \$19.95
Published 2006



Whether you're keeping one hen in a small backyard or 1,000 hens in a large free-range pasture, you will find the perfect housing plan in this comprehensive handbook.

10.

Screw the remaining side pieces to the lines marked earlier, checking for level as you go.



11.

Attach a piece of 2x2, cut to length, to one side of the center cross piece, to attach the trap door hinges to.





12.

Attach two more pieces of scrap 2x2, cut to length, to accommodate a 12" trap door. Notice that the two pieces are slightly offset, one is measured to 12" from one side to the edge, whereas the other is measured 12" from one side to the center.



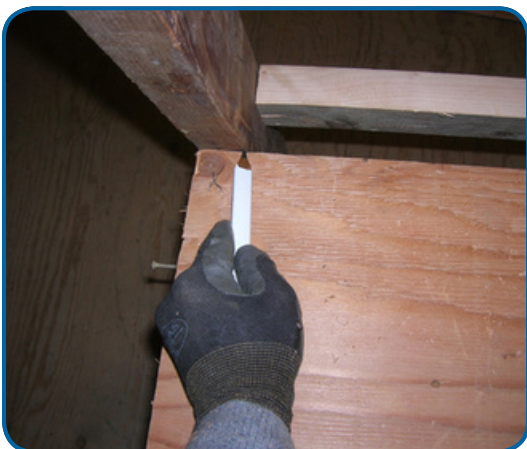
Why Couldn't The Chicken Find Her Eggs?



She mislaid them!

13.

Its now time to cut the pieces of plywood for the floor of the coop. I measure the first piece to length and width and set it against the upright sections of the A-frame, marking the plywood where I need to cut notches so that the plywood fits.



14.

Repeat the same process for the piece of plywood on the trap-door side of the chicken coop floor.



Where do you find information about eggs?



In a hen-cyclopedia



15.

Cut strips of scrap plywood and attach them around the edges of the trap door opening.



16.

Cut another piece of plywood for the trap door, making sure to allow enough room (1/2") so that the trap door can open without binding. Attach the plywood door to the hinges.





17.

Drill two holes that will use two long bolts to keep the door snug at night. Be sure to cut a recess inside the trap door opening frame so that the nut at the end of the bolt will have a place to go when the bolts are retracted and the trap door is down.



18.

Cut the plywood for both triangular end walls of the A-Frame. To do this, simply set a scrap piece of plywood on a couple of screws, and run a pencil around the edges.



19.

Cut the plywood along the lines from the previous step.



20.

Attach a 1x4 along the top edge of the opening side of the coop to attach the hinges to.



21.

Cut the hole for the drawer/nesting box at this time as well. You can use two small pieces of scrap as drawer guides.



22.

Attach a 1x4 along the top edge of the opening side of the coop to attach the hinges to.





23.

Cut a piece of plywood to fit the back of the coop, and attach it in the same manner as the side pieces. Be sure you leave an overhang for your roofing.



24.

Make the trap-door closing system, using eye-screws as guides for the rope.



Amazing Chicken Facts!

The greatest number known of yolks in one egg is nine.

Chickens have different clucks for different predators.

The first domestic chicken was the Gallus Gallus over 8000 years ago

There are more chickens on Earth than there are humans.



25.

Use a piece of roofing to cover the gap in the trap door by the hinges. *If you use using a hammer and roofing nails, it may save your fingertips if you hold the nails with a pair of needle-nose pliers.



26.

Attach a short piece of 2x2 on the hinged door side of the center "A" frame. This will work as a prop, when you open the door to clean out or inspect the coop.



27.

Attach the hinges to the 1x4 strip of wood that runs across the top of the door side of the coop, and cut a piece of plywood to use as the door.



28.

Attach strips of ½” plywood to the door, except where it meets the piece of 1x4 that holds the hinges. That allows it to meet flush to the edges of the chicken coop frame.



29.

Attach the door to the coop itself
*A friend or family member will be helpful for this step.



30.

The coop is now ready for roofing, paint, perches, lighting, ventilation holes, decoration and of course, chickens.

Be sure to paint all exposed wood surfaces and plywood edges with exterior grade paint for durability.

Congratulations and please send us photos of your happy hen home to bham@re-store.org or tag us [@therestore_bellingham](https://www.instagram.com/therestore_bellingham)

Best regards,

The RE Store

The RE Store is your trusted Whatcom County source for used and vintage building materials: for homes, businesses, contractors, and lovers of style that can't be found in a big box warehouse. Retail hours: Monday – Saturday; 10am – 6pm. Donations Accepted: Monday – Saturday; 10am – 5pm. Donations are subject to staff approval on site. The RE Store picks up your stuff, strips it out & tears down entire buildings. The RE Store is a community-based project of the non-profit RE Sources since 1993.